

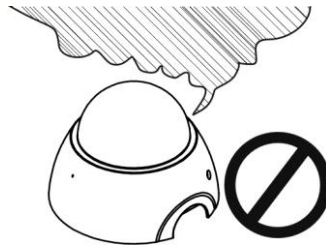
Brickcom

Megapixel Day & Night
Fixed Dome Network Camera
FD-100A/FD-130A Series
Quick Installation Guide
Quality Service Group



Read Before You Use

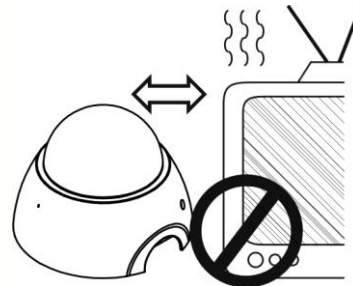
1. Power off the camera device immediately if it starts smoking or smells unusual.



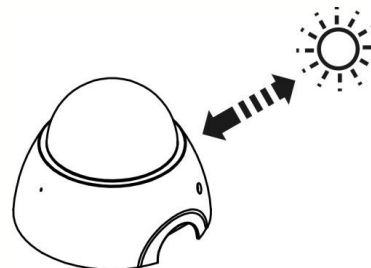
2. Power off the camera device immediately if the camera is exposed to rain or liquid.



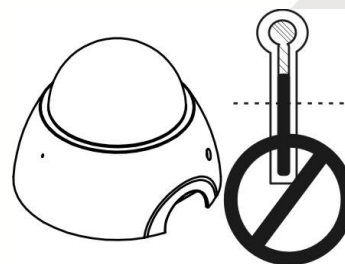
3. Do not set the camera device near any heat sources. (Ex: television and oven)



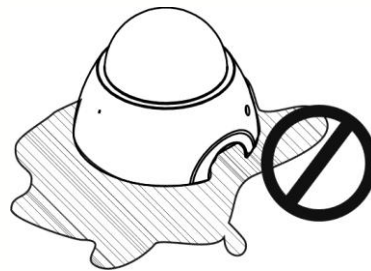
4. Keep the camera device away from direct sunlight.



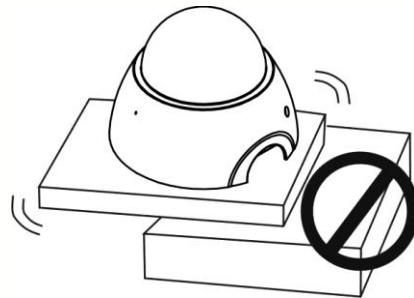
5. Do not set the camera device over the specific operating temperature.



6. Do not set the camera device in any wet and humid environments.



7. Do not set the camera device on unsteady surfaces.



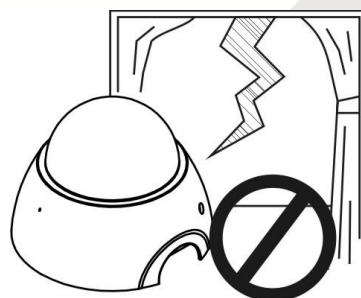
8. Do not attempt to dismantle the camera device.



9. Do not drop or hit the camera device.

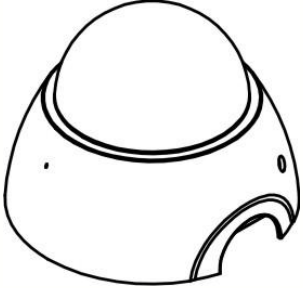
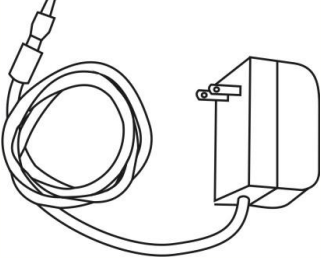
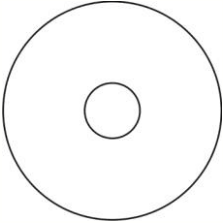
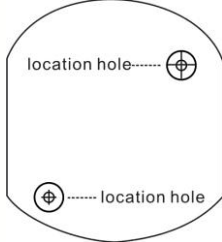

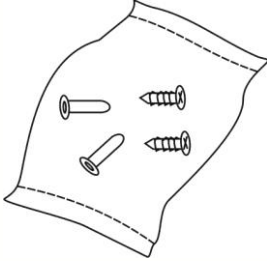
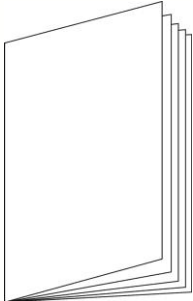


10. Do not use the camera device when there is lightning.



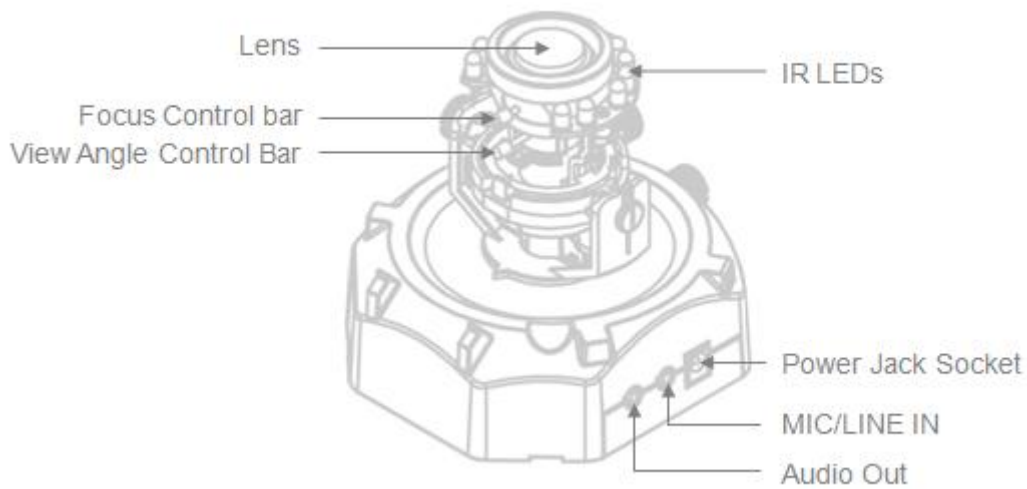
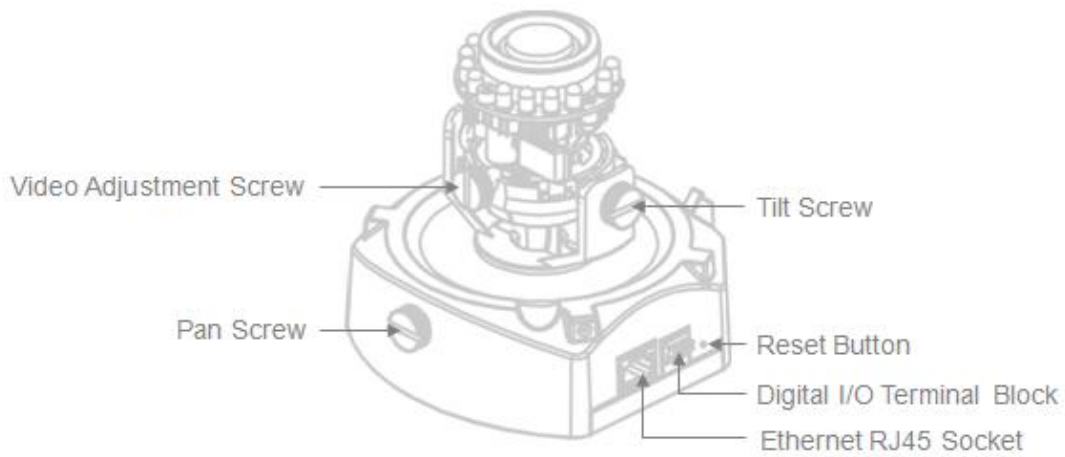


1. Check Package Contents

<p>a. FD-100A</p> 	<p>b. Power Adapter(Optional)</p> 
<p>c. Product CD</p> 	<p>d. Location Sticker</p> 
<p>e. Warranty Card</p> 	<p>f. Screws bag</p> 
<p>g. Easy Installation Guide</p> 	



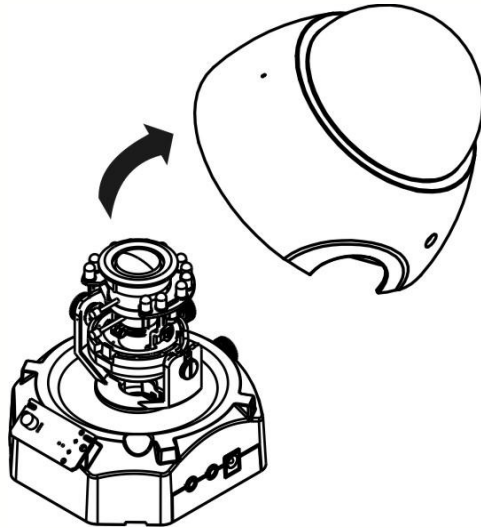
2. Device Description





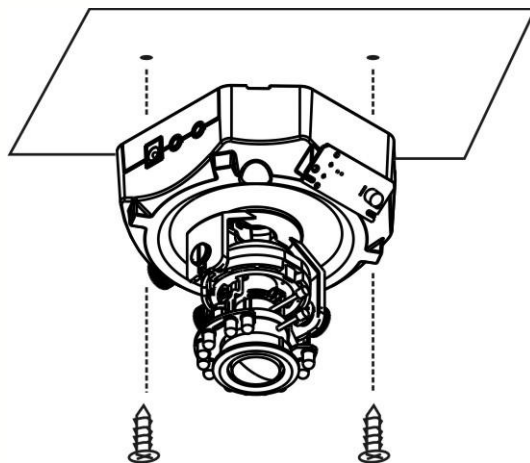
3. Hardware Installation

3.1 Remove the dome cover from the camera device.



For ceiling installation:

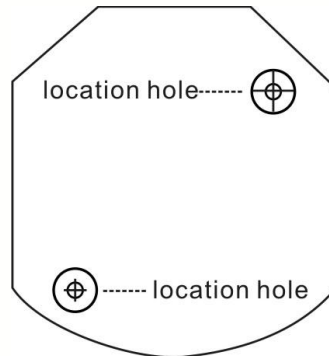
3.2 The user needs the two screws which are included in the product package and a screwdriver. Mount the camera on the desired location and use the screwdriver to tighten the screws clockwise through the two holes on each side of the device as shown below. The best place to mount the camera is into a ceiling stud.



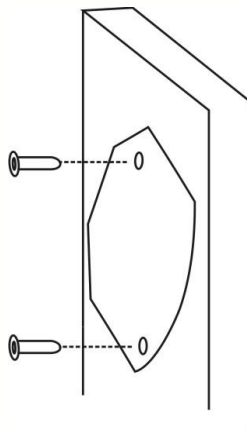
WARNING: Do not mount the camera on a soft material. The camera may fall and be damaged.

For wall installation:

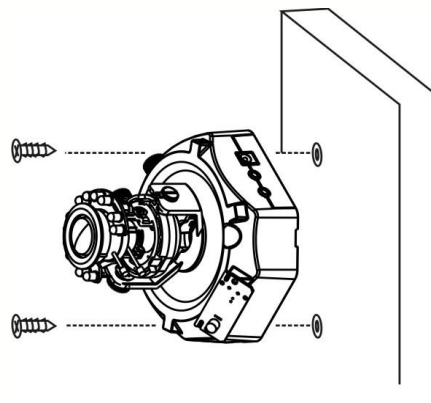
- 3.3 Chose the location on the wall to place the camera. Attach the location sticker to the desired spot.
- 3.4 Drill two holes through the center of the two location holes on the sticker.



- 3.5 Hammer the two plastic anchors which are provided in the product package into the two location holes.



- 3.6 Mount the camera on the wall and position to two screw slots over the plastic anchors. Insert the screws into the holes and use the screwdriver to tighten the screws clockwise until they are secure.



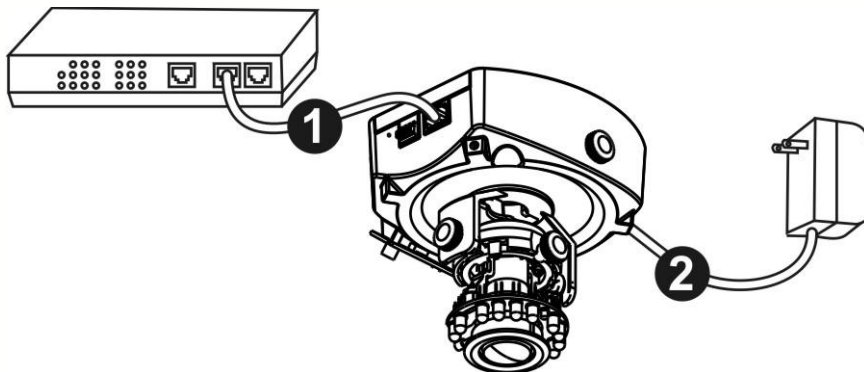
- 3.7 Place the dome cover back on the camera device.



4. Camera Connection

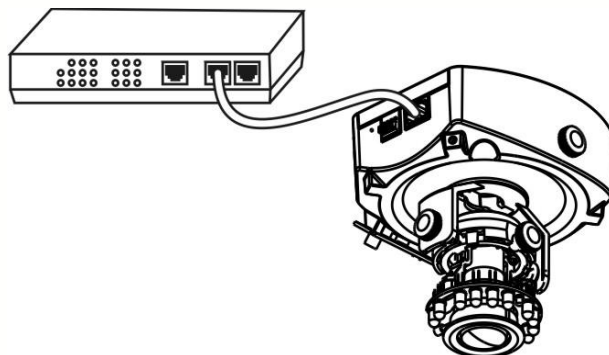
4.1 Basic Connection (Without PoE)

- 4.1.1 Connect the power adaptor to the camera device.
- 4.1.2 Connect the camera to the Ethernet hub using a RJ45 Ethernet cable.

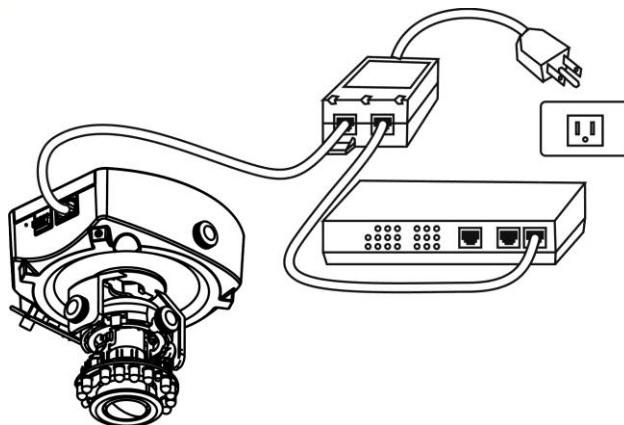


4.2 Power over Ethernet (PoE) Connection

- 4.2.1 Connect the camera to a PoE-enabled hub via single Ethernet cable.



- 4.2.2 Connect the camera to a non-PoE hub via PoE Injector.

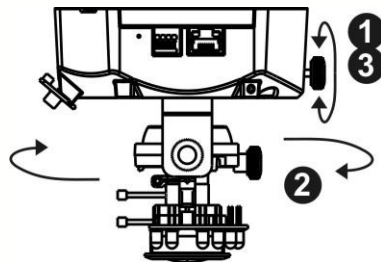




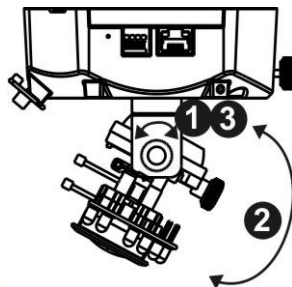
5. Adjust the Lens focus range and zoom viewing

5.1 How to adjust the Lens angle?

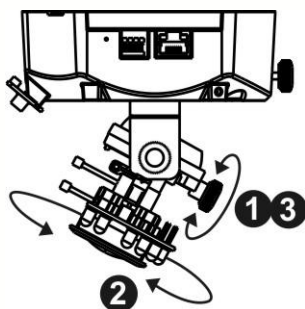
- 5.1.1 Release the pan screw and then rotate the lens to left or right. After completion, tighten the pan screw.



- 5.1.2 Release the tilt screw on both side of the device and then rotate the lens to up or down. After completion, tighten the tilt screw.



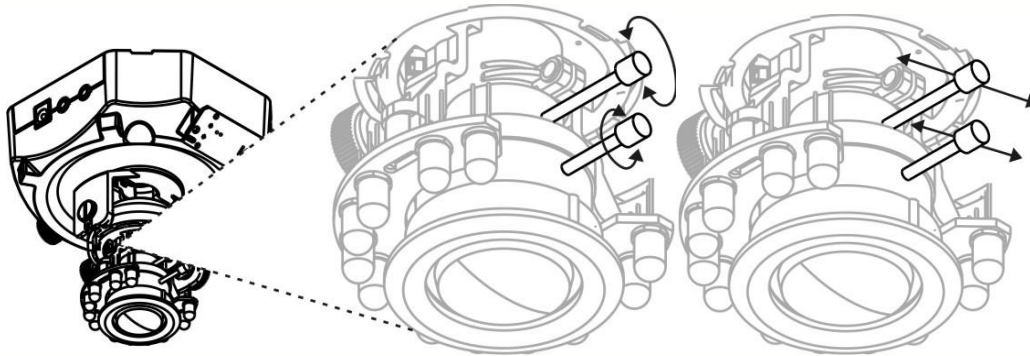
- 5.1.3 Release the video adjustment screw and then adjust the lens direction. After completion, tighten the video adjustment screw.



5.2 How to adjust the view angle and focus range

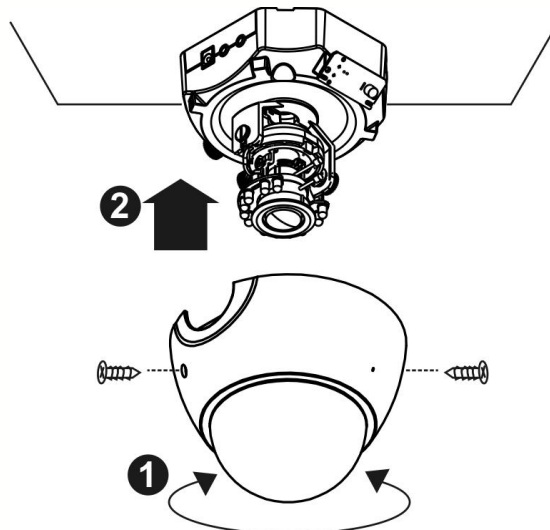
5.2.1 Release the view angle controller and then moving the controller bar left or right to adjust the view angle. After completion, tighten the view angle controller.

5.2.2 Release the focus controller and then moving the controller bar left or right to adjust the focus range. After completion, tighten the focus controller.



6. Complete the Installation

- 6.1 Turn the visible dome cover slowly until it gets the best position.
- 6.2 Use the screwdriver and attached two dome screws to lock the dome cover with camera device securely.





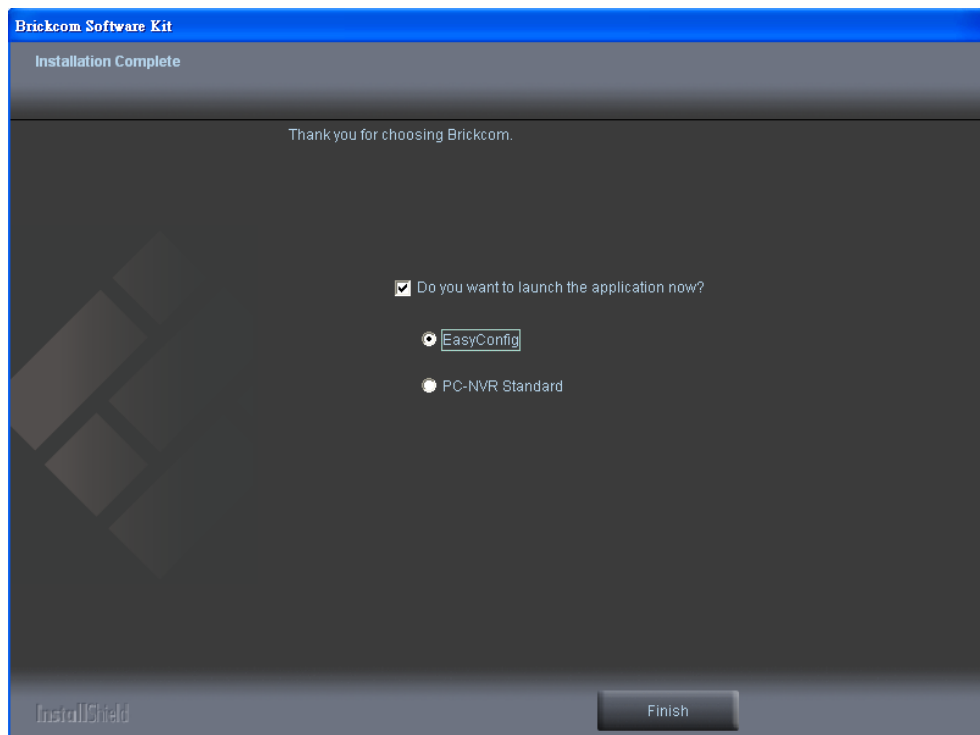
7. Network Camera Setup

1. Insert the Installation CD into the CD-ROM driver. Run Auto-Run Tool directly from the CD-ROM to start the installation. When installing the Brickcom software kit for the first time, select a desired language for the interface. The available languages are listed in the scroll box. Click **<Install>** and follow the steps to install the EasyConfig wizard on the desired computer.



Please follow the instruction of the InstallShield Wizard to finish the Brickcom Software Kit installation.

2. To launch EasyConfig or PC-NVR Standard, select the application and click **<Finish>**. When launching the PC-NVR program, please refer to the PC-NVR user manual.



EasyConfig

To launch EasyConfig, select EasyConfig from the start menu. If Complete Setup type was used in the software installation, an EasyConfig icon was installed on the desktop. Double click to open the icon.



If Custom Setup type was used in the software installation and an EasyConfig icon was not installed on the desktop, the program will be installed under C:\Program Files\Brickcom\EasyConfig unless the program was saved to a preferred directory.

1. Click <Start> to continue. The program will automatically search for the camera in the intranet.



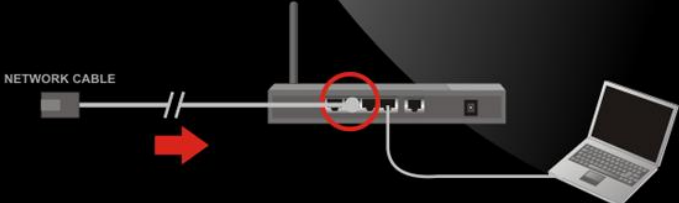
NOTE - Check “Skip the hardware installation guide” to skip checking the hardware connection. To check the hardware installation settings, do not check the option box.




Brickcom

Connection

1 Plug one end of the supplied network cable into your network switch or router.

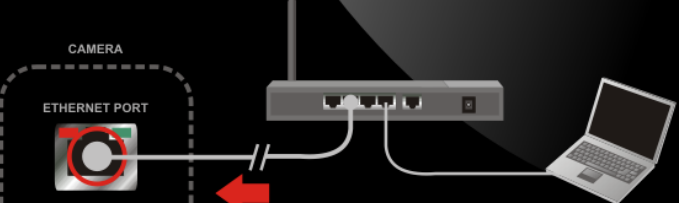


NETWORK CABLE




Brickcom

2 Plug the other end of the supplied network cable into the camera's Ethernet port.



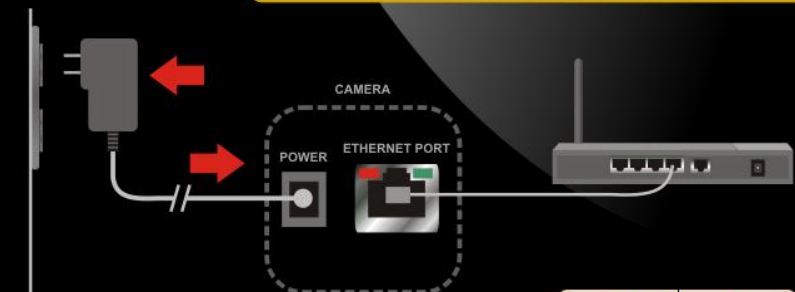
CAMERA

ETHERNET PORT



Brickcom

3 Plug the power adapter into the camera's power port. Then connect the other end into the power outlet. Please check that the LED light is on.




POWER SOCKET

CAMERA

POWER

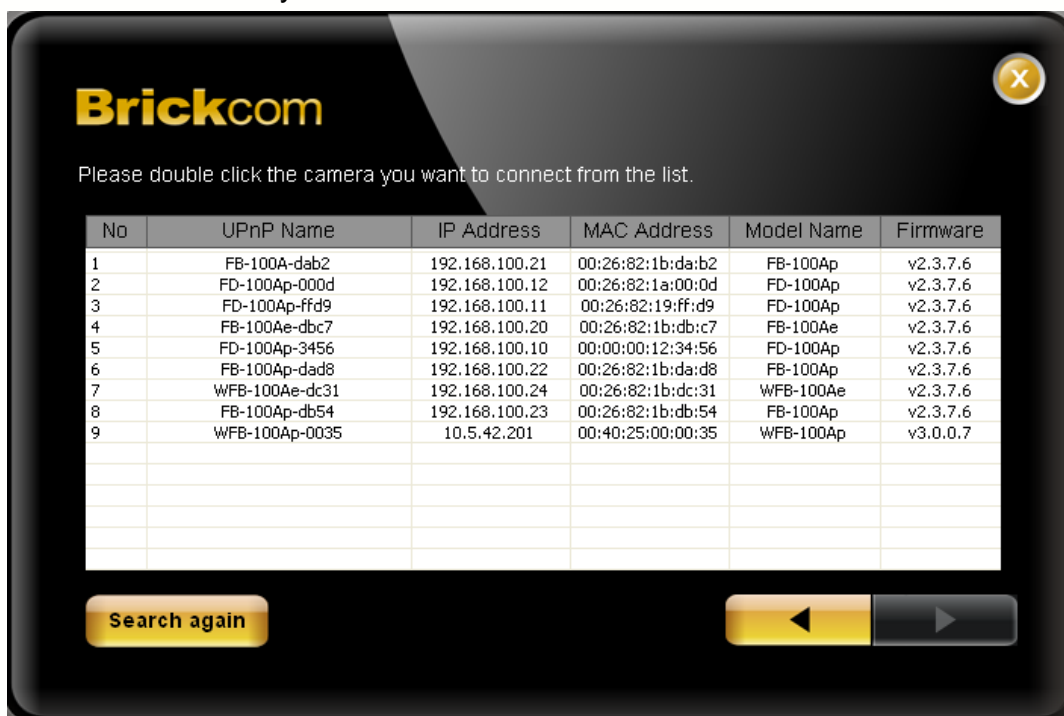
ETHERNET PORT



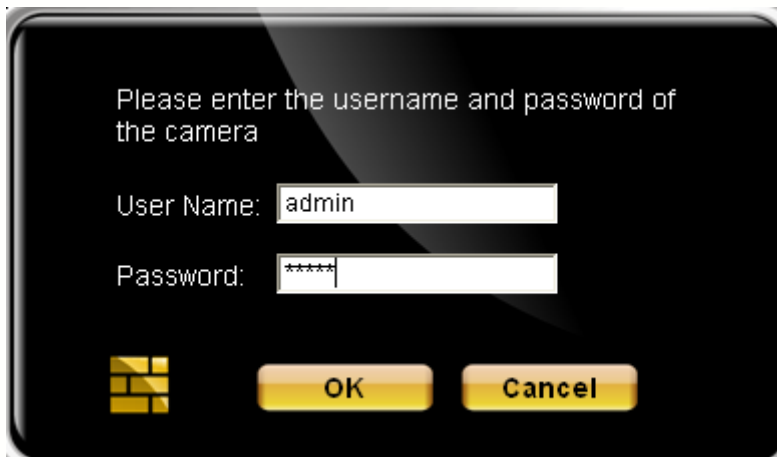
2. Select either “Simple Mode” or “Professional Mode” to obtain the camera’s IP settings. If “Simple Mode” is selected, EasyConfig will set up the connection automatically. If “Professional Mode” is selected, the user will need to configure the IP settings manually.



3. There may be many cameras in the local network. Differentiate the cameras using their UPnP name. Double click on the camera from the survey list to connect.




4. Enter the username and password of the camera. For first time use, the default username and password are “**admin/admin.**”



Please enter the username and password of the camera

User Name:

Password:



5. For configuring the IP address settings, select either <Settings remain the same>, <Automatically obtain an IP Address (DHCP)> or <Set IP Address configuration manually>. The DHCP setting is recommended.



Brickcom

Select the IP Address settings.

Settings remain the same

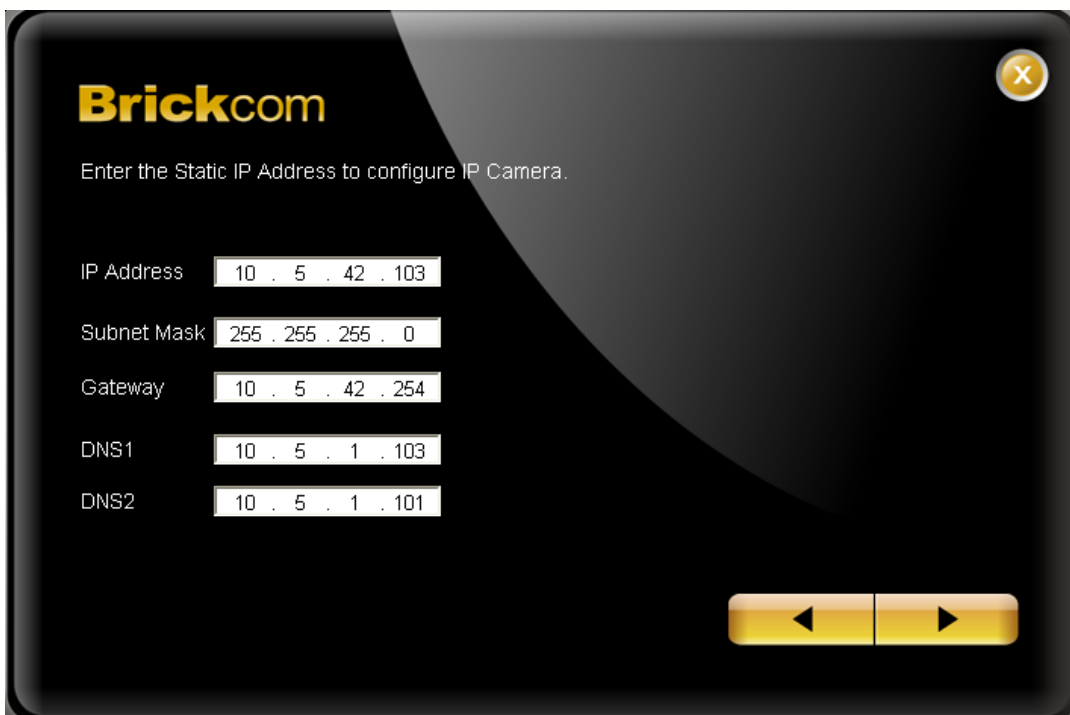
Automatically obtain an IP Address (DHCP)

Set IP Address configuration manually

- a. If <Set IP Address configuration manually> is selected, the following pages will be displayed.

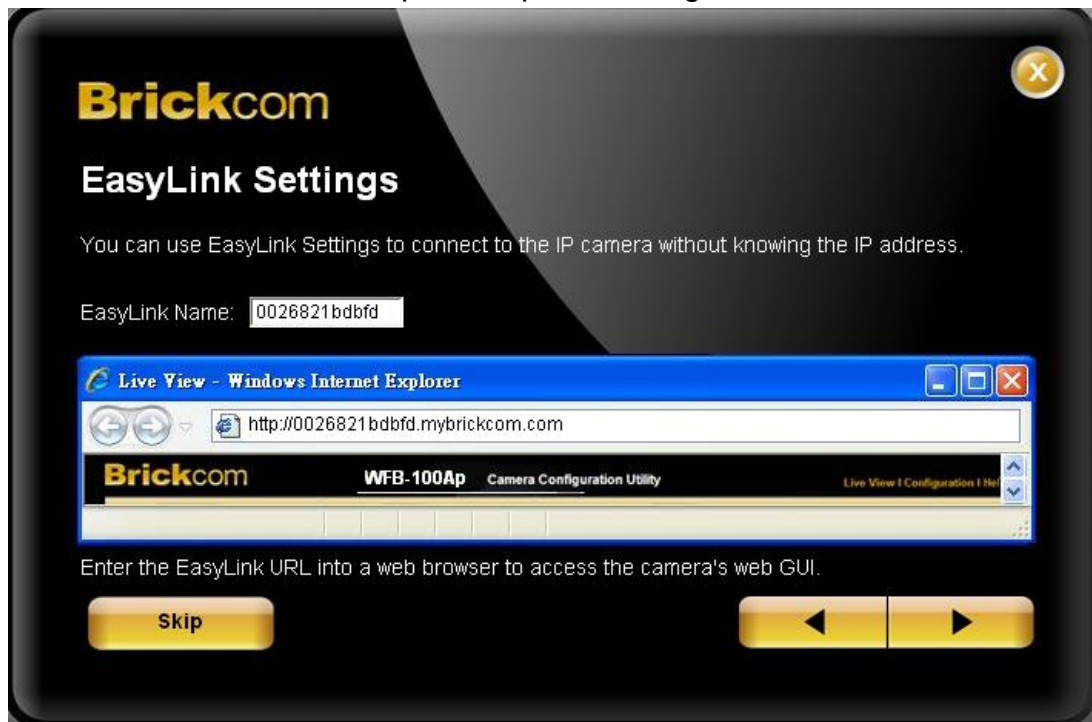


The screenshot shows a dark-themed window titled "Brickcom" with a close button in the top right corner. Below the title, the text "Select the IP Address settings." is displayed. There are three radio button options: "Settings remains the same", "Automatically obtain an IP Address (DHCP)", and "Set IP Address configuration manually". The third option is selected. At the bottom right, there are two yellow navigation buttons with left and right arrows.



The screenshot shows a dark-themed window titled "Brickcom" with a close button in the top right corner. Below the title, the text "Enter the Static IP Address to configure IP Camera." is displayed. There are five input fields for configuration: "IP Address" (10 . 5 . 42 . 103), "Subnet Mask" (255 . 255 . 255 . 0), "Gateway" (10 . 5 . 42 . 254), "DNS1" (10 . 5 . 1 . 103), and "DNS2" (10 . 5 . 1 . 101). At the bottom right, there are two yellow navigation buttons with left and right arrows.

6. If the camera supports the EasyLink™ function, the following page **will be** displayed. Otherwise, this page **will not** be shown.
*If desired, click <Skip> to skip this setting.



EasyLink™ is a unique Brickcom function which allows users to assign a unique EasyLink name to their network camera's IP address. There is no need to configure the router to open up ports or remember hard-to-memorize IP addresses. Users can log onto [uniqueEasyLinkname].mybrickcom.com to view the camera's web GUI and live view.

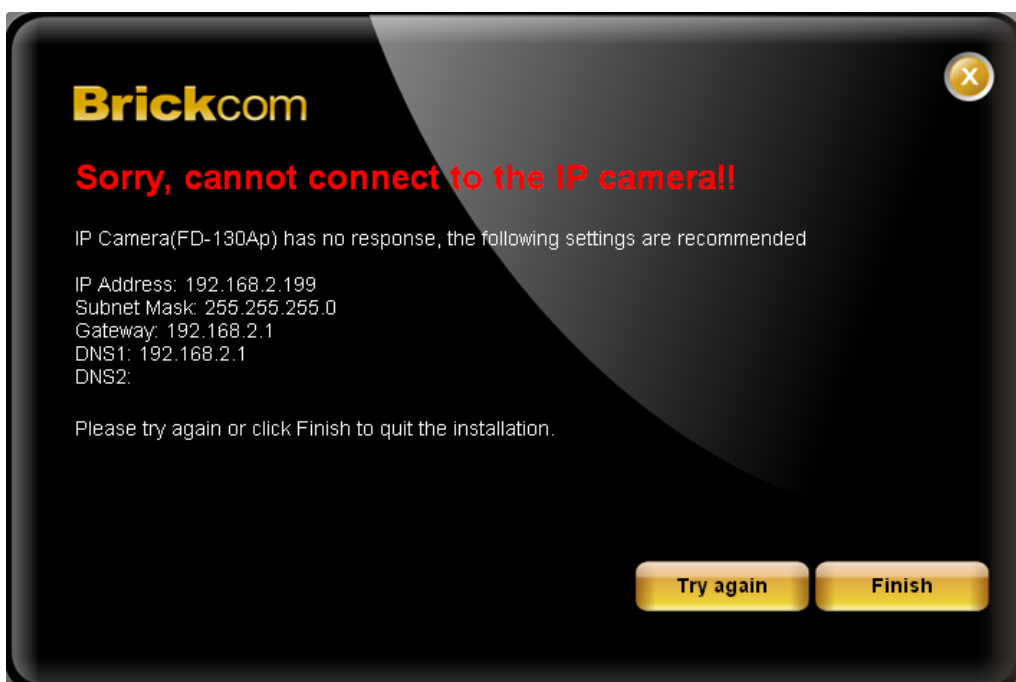
1. Enter a unique EasyLink name whose length must be between 5-32 characters.
2. When finished, click the arrow button to continue.

7. When the IP address settings have been configured, the screen will either display a successful or failed connection message. If the connection failed, either try again or quit the installation.

- a. If “DHCP IP address settings” was selected, the failure page will be displayed as below:



- b. If “Static IP address settings” was selected, the failure page will be displayed as below:



- c. If the connection was successful, the user will see the message:
“Congratulations. The installation of the camera is complete.”

When this window is displayed, click <**PC-NVR**> to start the PC-NVR program, <**Live View**> to view the live video from the connected IP camera, or <**X**> in the top right corner of the screen to close the installation window. To run the PC-NVR program, please refer to the PC-NVR user manual for more information.

