

5 Megapixel Compact Cube Network Camera

CB-500A Series

HDTV 1080p/720p • WiFi/3G/4G Wireless Connection • PoE



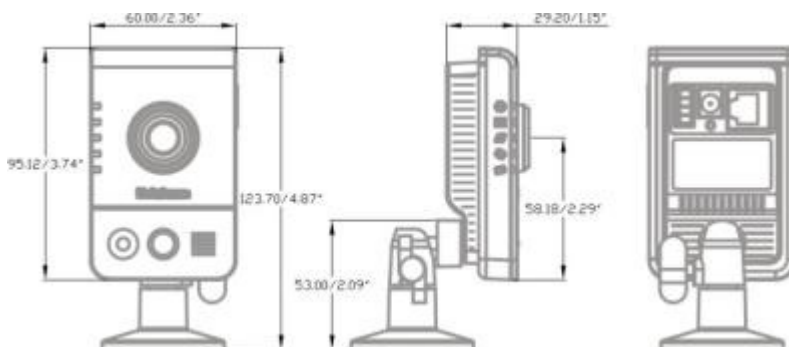
- Most Intelligent, Compact and Affordable 5M Camera
- HDTV Quality (Full HD 1080p @ 30fps Streaming)
- Unique Design for Low Lux Application (1/2.5" Sensor)
- Intelligent Multi-Profile Sensor Management for Different Environment
- Support 802.11a/b/g/n Dual Band Wireless Connectivity
- WPS Supported for Easy Wireless Network Setup
- Support 3G/ 4G (WiMAX/LTE) Wireless Connectivity
- Interchangeable CS Mount Lens
- Edge Recording/ Micro SD slot
- PoE/ Two-way Audio/ PIR/ Illumination LED/ DIDO/ Privacy button



Photo Indication & Dimension Diagram



- Adjustable focal Lens
- Built-in Microphone
- PIR
- Illumination LED
- Speaker
- Power Connector
- Ethernet RJ45 Socket
- Reset Button
- DIDO Terminal I/O Connector
- Micro SD/SDHC slot
- WPS button
- Privacy button
- Power LED
- Status LED
- Internet LED
- WPS LED
- Privacy LED
- USB Port for 3G/4G



CB-500A Series

Camera		Audio	
Hardware System	CPU: 533 MHz Flash: 32M RAM: 256M DDR	Audio Streaming	2-way Audio Support
Image Sensor	Sensor Type : 1/2.5" CMOS 5 Megapixel Sensor Sensor Resolution : 2592 x 1944 pixel Minimum illumination : 0.8 Lux @ F2.8 0.8 Lux @ F1.5	Audio Compression	G.711, AMR (8 kHz, Mono, PCM)
Lens	CB-500Ap/ WCB-500Ap Lens Type: Board Lens Focal Length: f= 6.34 mm Iris: F2.8 View Angle: (H): 48.5° (V): 37.1° (D): 58.5° CB-502Ap/ WCB-502Ap Lens Type: CS Mount Lens Focal Length: f= 4.05 mm Iris: F1.5 View Angle: (H): 65.4° (V): 49.9° (D): 80.4°	Audio Input/ Output	Built-in MIC & Speaker
Video		General	
Video Image Compression	H.264 / MPEG4 / MJPEG	Communication	Ethernet : one 10/100Mbps RJ-45 Supported Protocols : TCP/IP, UDP, ICMP, DHCP, NTP, DNS, DDNS, SMTP, FTP, HTTP, Samba, PPPoE, UPnP, RTP, RTSP, RTCP, IPv6
Video Setting	Audio Exposure Control: Sport/ Normal/ Night Vision/ User Defined Auto Gain Control: 1X~32X Shuttle Speed: 1/20000~1/5 s	Power Input	DC12V/ 1A(Power Supply)
Image Resolution	5M : 2592x1944 @ 11fps (5M supports MJPEG only) 4M : 2304x1728 @ 15fps 3M : 2048x1536 @ 20fps 2M (Full HD) : 1920x1080 @ 30fps 1M (HDTV) : 1280x720 @ 30fps	Max. Power Consumption	CB-500Ap/502Ap : 4.2 watts WCB-500Ap/502Ap : 4.6 watts
		Environment	Operating Temperature 0°C ~ 50°C (32°F ~122°F), Operating Humidity : 10% ~ 80%
		Dimension	34.8 (L) X60 (W) X 95 (H) mm
		Weight	CB-500Ap : 99g WCB-500Ap : 106g CB-502Ap : 122g WCB-502Ap : 129g
		Certification	FCC, CE
		Warranty	Limited 2-year warranty

CB-500A Series	CB-500Ap	WCB-500Ap	CB-502Ap	WCB-502Ap
Interchangeable CS-Mount Lens			✓	✓
Wireless (11a/b/g/n dual band WiFi)		✓		✓
Wired (802.3af PoE)	✓		✓	
USB port for 3G/ 4G(WiMAX/LTE)	✓		✓	
DIDO I/O Port	✓	✓	✓	✓

Work Best With

Camera Accessories Options



T3Z2914CS-IR
3x Vari-focal Lens with Manual Iris



CI-803A/CI-803C
Camera Bracket



GL-222
Camera Bracket

Network Equipment Options



DWRT-600N
Dual Band Wireless Router



PS-588I
8-port 10/100M PoE Fast Ethernet Switch



BP-1000
UPS power pack (Edge Recording)