

5 Megapixel Day & Night Vandal Dome Network Camera

VD-500A Series

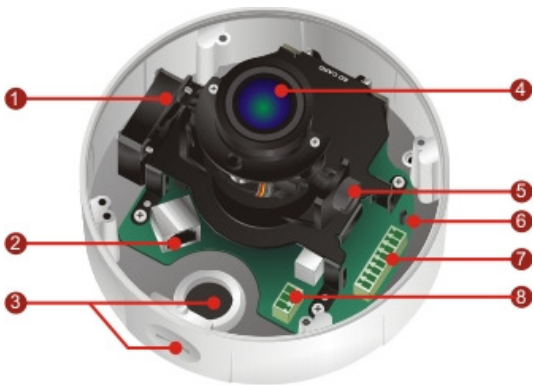
HDTV 1080p/720p • 5M/4M/3M/2M/1.3M Resolution Supported



- 5 Megapixel High Resolution Outdoor Vandal Dome Camera
- HDTV Quality (Full HD 1080p @ 30fps Streaming)
- MPEG-4, MJPEG and H.264 Triple Codec Compression
- **Intelligent Multi-Profile Sensor Management®** for Different Environments
- Removable IR-cut Filter /Auto Light Sensor for Day and Night
- 1 DI/DO for External Alarm and Sensor Device
- 3 Axis design
- Two-way Audio/Built-in SD/SDHC Memory Card Slot for Local Storage
- IK10 Vandal Proof and IP67 Weather Proof Outdoor Enclosure
- Power over Ethernet

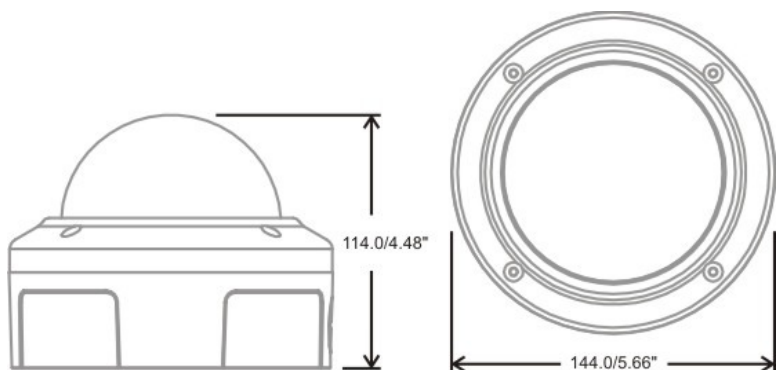


Photo Indication & Dimension Diagram



- 1 Fan*
- 2 RJ45 Connector
(For Ethernet and High Power PoE)
- 3 Conduit Plug and Hole
- 4 LENS
- 5 Tilt Screw
- 6 Reset Button

- 7 Terminal Block
(For Audio in/out, DIDO)
- 8 Terminal Block (For DC12 1A)
- 9 Focus Control Bar**
- 10 View Angel Control Bar**
- 11 SD Card Slot



VD-500A Series

Camera

Hardware System	CPU: 533 MHz Flash: 32M RAM: 256M DDR
Image Sensor	Sensor Type : 1/2.5" CMOS 5 Megapixel Sensor Sensor Resolution : 2592 x 1944 pixel Minimum Illumination : 0.5Lux@F1.2
Lens	Lens Type: Board Lens Focal Length: f= 3mm(W)~9mm(T) F No.: 1.2(W)~2.7(T) View Angle: (H): 115.2°~37.1° (V): 63.29°~20.8° (D): 132.6°~42.5°
Day & Night ICR	Triggered by Light sensor, Scheduling, Digital Input

Video

Compression Streaming	H.264 / MPEG4 / MJPEG Simultaneous multiple streams
Video Setting	Multi-Profile Image Management: Day/ Night/ Sunset/ User 1/ User 2 Auto Exposure Control Manual Exposure Control: 1/20000~1/5s Manual Gain Control: 1X ~ 32X
Image Resolution	5M : 2592x1944 @ 11fps (5M supports MJPEG only) 4M : 2032x1936 @ 14fps 3M : 2032x1536 @ 18fps 2M (Full HD) : 1920x1080 @ 30fps 1M (HDTV) : 1280x720 @ 30fps

Events and Alarm Management

Events	Motion Detection Schedule Audio Detection Digital Input
Alarm	Stream/Snapshot to FTP/Email/Samba/SD-Card HTTP/Email Notification/ Digital Output

VD-500A Series	VD-500Ap (*)	VD-502Ap (**)
Lens Type	Motorized-Lens	Vari-Focal-Lens
Operating Temperature;	DC12V 1A/ PoE 802.3 af	0°C ~ 60°C ; 10 Watts/ 12.5 Watts
Max. Power Consumption	PoE 802.3 at	0°C ~ 50°C; 8 Watts/ 10 Watts
	-40°C ~ 60°C; 25 Watts	NA

Work Best With

Camera Accessories Options



L-WM-01
Camera Bracket



POE30U *
High Power PoE Injector

Audio

Audio Streaming	2-way Audio Support
Audio Compression	G.711, AMR (8 kHz, Mono, PCM)
Audio Input/ Output	Line In/ Out

General

Communication	Ethernet : one 10/100Mbps RJ-45 Supported Protocols : TCP/IP, UDP, ICMP, DHCP, NTP, DNS, DDNS, SMTP, FTP, HTTP, Samba, PPPoE, UPnP, RTP, RTSP, RTCP, IPv6
Power Input/ Operating Temperature	PoE 802.3 af/ DC12V 1A : 0°C ~ 60°C (32°F ~140°F)* 0°C ~ 50°C (32°F ~122°F)** High Power PoE (build in fan and heater): -40°C ~ 60°C (-40°F ~140°F)*
Max. Power Consumption	10 Watts * / 8 Watts** (DC12V 1A) 12.5 Watts * / 10 Watts** (PoE 802.3 af) 25 Watts * (PoE 802.3 at)
Environment	Water Proof: IP67 Operating Humidity : 10% ~ 80%
Dimension	113.75 (D) mm X 144.25(H) mm
Weight	860g/1.90lb
Housing	Weather-proof (IP67) Vandal-proof (IK10)
Certification	FCC, CE, IK10
Viewing System Requirements	OS: Microsoft Windows 7/Vista/XP/2000 Browser: Mozilla Firefox, Internet Explorer 6/7 or above, Safari, Google Chrome Cell Phone: 3GPP player Real Player: 10.5 or above Quick Time: 6.6 or above VLC
Warranty	Limited 2-year warranty

Network Equipment Options



PS-5881
8-port 10/100M PoE Fast Ethernet Switch



PS-7242IL-AF
24-port 10/100M PoE Web Smart Ethernet Switch